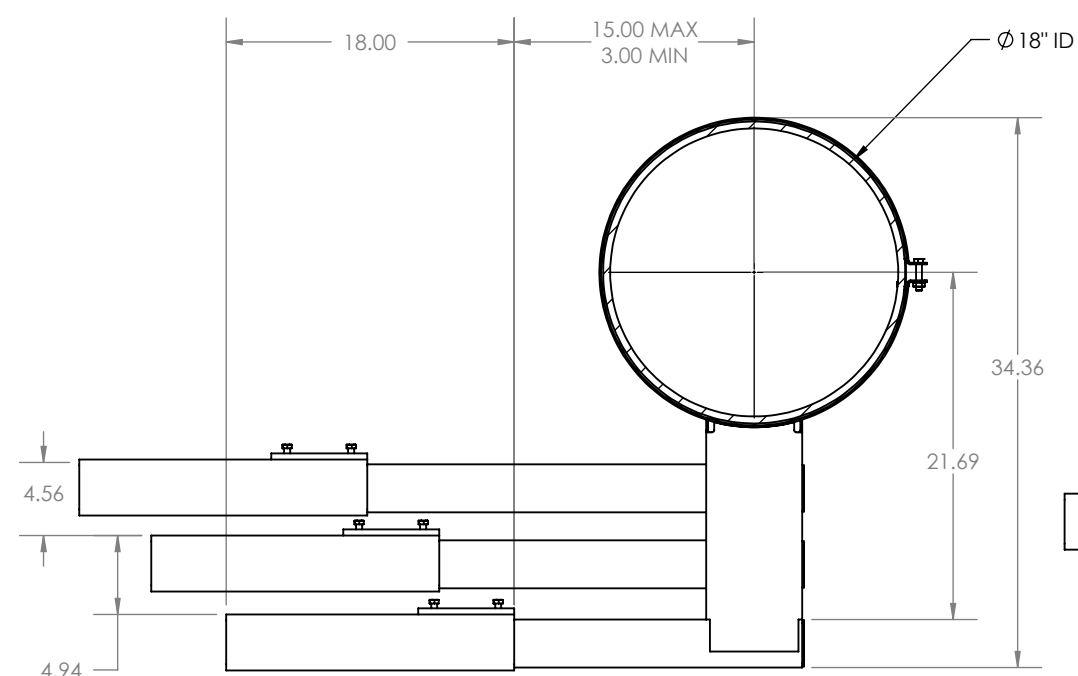
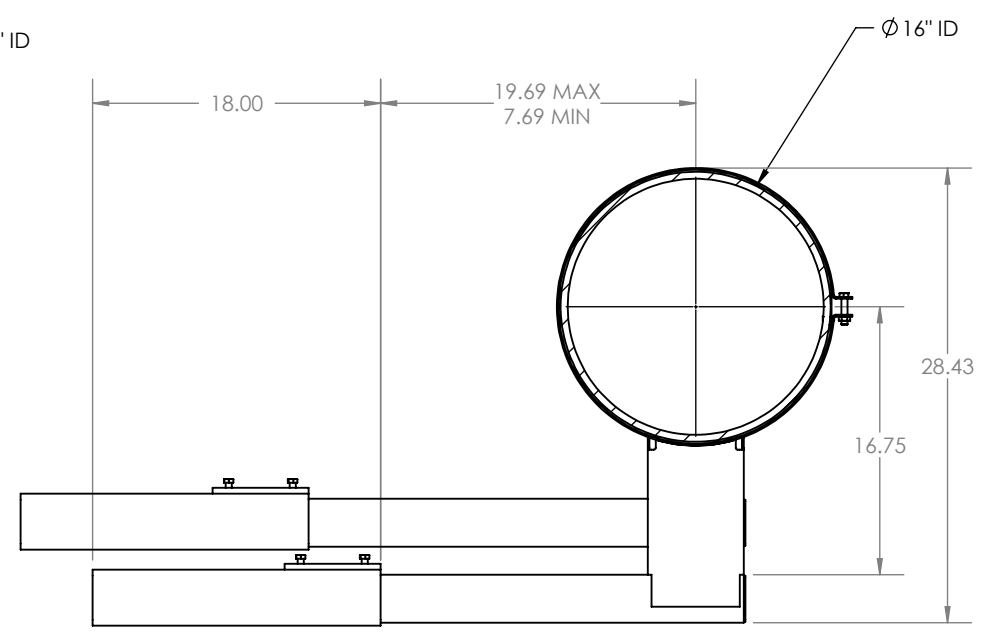


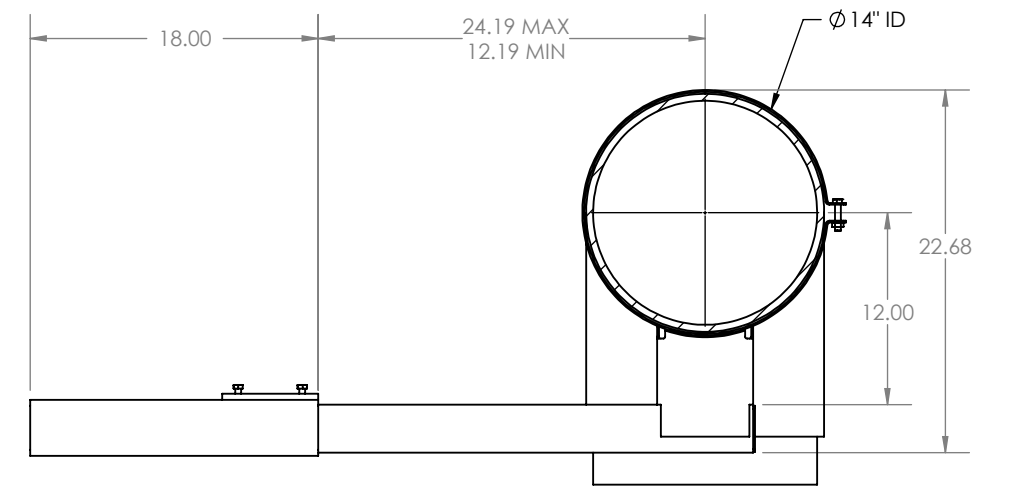
ISOMETRIC VIEW



SECTION A-A



SECTION B-B



SECTION C-C

3	300017	BRKT,SPRT,TAD-14,ASSY	1
2	300016	BRKT,SPRT,TAD-16,ASSY	1
1	300015	BRKT,SPRT,TAD-18,ASSY	3
ITEM NO.	PART NUMBER	Description	QTY.

NOTES:
 1. USE DIMENSIONS SHOWN - DO NOT SCALE DRAWING.
 2. ISOMETRIC VIEW IS FOR REFERENCE ONLY.

REV	DESCRIPTION	NAME	DATE
00	INITIAL RELEASE	RAB	04/08/20

PROPRIETARY AND CONFIDENTIAL
 THE INFORMATION CONTAINED IN THIS DRAWING IS THE SOLE PROPERTY OF PREMIER AIR SOLUTIONS. ANY REPRODUCTION IN PART OR AS A WHOLE WITHOUT THE WRITTEN PERMISSION OF PREMIER AIR SOLUTIONS IS PROHIBITED.

UNLESS OTHERWISE SPECIFIED:
 DIMENSIONS ARE IN INCHES
TOLERANCES:
 FRACTIONAL ± 1/16"
 ANGULAR DIMENSIONS ± 1.5°
 TWO PLACE DECIMAL ± .06
 THREE PLACE DECIMAL ± .003

PREMIER AIR SOLUTIONS

CUSTOMER:	PO. NO:	WO. NO:	DESCRIPTION:
LOCATION:	DESIGN: WDE 02/25/19	MATERIAL:	THICKNESS:
MODEL NO:	DRAWN: RAB 04/08/20	FINISH:	DRAWING NO: 400202
	APPR:	SCALE: N/A	SHEET 1 OF 1
			REV 00